

Multi-Announcer



Models 311 and 310

with Automatic Announcement
Switching

Version 2.24

USER GUIDE

Multimessage Systems Ltd

Unit 2, Furzewood House, Cranborne Road Ind. Estate, Potters Bar Herts, EN6 3JN
Telephone: ++44 (0) 1707 644480 Fax: ++44 (0) 1707 646745

Contents

Introduction to your Multi-Announcer Features and facilities	3
Approval information	4
Installation Choosing a suitable site Unpacking the system Connection and conditions for use	5
Connection on front and rear panels-M311	6
Connection on front and rear panels-M310	7
Connection on front and rear panels-M310L (Large)	8
Safety information Fitting a plug	9
Installation procedure	10
Read this first Menus Function displays	11
Setting the time and date Reset system: Tests all ports and announcements Port type: Reviewing or changing and resetting	12
Record Announcements The external input socket	13
Erasing Announcements Playing Announcements Daylight Saving	14
Week Plan set-up/review	15
Date Breaks set-up/review	16
Copy Week Plan/Date Breaks Free recording time available Version and revision of software	17
Total count of calls received Count of calls received for each port	18
Enable number of plays for each caller Key code for remote control	19
Security level for remote control Remote control of the Multi-Announcer	20
Automatic announcement selection Example	21
Program Bank Holidays	22

Introduction to your Multi-Announcer

Read this section to get an overview of how your Multimessage Multi-Announcer works. This section also contains some important information about conditions for installing and connecting the unit.

There are two models in the Multimessage Multi-Announcer range:

- ◆ the Model 311, which is fitted in a one-unit-high case and may be equipped to answer 2, 4 or 6 telephone lines
- ◆ the Model 310, which is fitted in a three/five-unit-high case and may be equipped to answer up to 15/31 telephone lines

The instructions in this User Guide apply to both models, except for the installation instructions these apply to the Model 311 only; the Model 310 must be installed by qualified engineers.

Features and facilities

Your Multimessage Multi-Announcer gives you the ability to play up to 60 pre-recorded announcements to your callers. Each caller hears the relevant announcement from the beginning. Each announcement can be assigned to just one port or to a group of ports, as you prefer. The automatic announcement switching facility, which is explained in more detail below, lets you set the system up so that callers hear different announcements at different times on different days.

Some or all ports may have the same set of announcements; or each port may have a different one. For emergency situations this may be overridden so that all ports have an emergency announcement. This may be recorded and turned on/off remotely. The remote control access is via a 4 digit key code enabling recording and playing of any announcement in addition to the emergency control.

To record announcements and set up the system, you use an ordinary tone-dialling telephone; and you can modify the announcements and settings while the system continues to answer calls. You can also use recordings made on an external device such as a cassette recorder or a CD player.

Features and facilities include:

- ◆ Connections (ports) for two, four or six telephone lines on the Model 311 and up to 31 lines on the Model 310
- ◆ Automatic answering of incoming calls
- ◆ Automatic daylight saving clock adjustment
- ◆ Solid-state (digital) storage of your announcements - up to a total of 14 minutes on the Model 311 and 224 minutes on the Model 310
- ◆ Call counters for each port and for the whole system, allowing you to monitor the number of calls received
- ◆ The ability to take ports out of service at any time.
- ◆ Battery back-up so that the system will continue to answer calls if there is a mains power failure.
- ◆ A full list of the approved features and facilities is given under 'Approval information'.

Approval information

This apparatus has been approved for use with the following facilities:

- ◆ Auto-answering;
- ◆ Auto-clearing;
- ◆ All callers hear the announcement from the beginning;
- ◆ Call counters for each port and for system total;
- ◆ Announcements can be modified while the machine continues to answer calls;
- ◆ Controlled from simple telephone with tone dialling;
- ◆ Mains powered from 240 V AC, 100 mA, 24W peak;
- ◆ Battery backup - running for three hours; 45 hours memory retention (optional extended memory for Model 310 - running for ten hours: 135 hours memory retention).
- ◆ Solid-state storage of announcements.

Storage:

- ◆ 3.5 to 224 minutes on Model 310.
- ◆ 3.5 to 14 minutes on Model 311.

Line capacity:

- ◆ 2 to 31 ports on Model 310.
- ◆ 2, 4 or 6 ports on Model 311.
- ◆ Up to 60 announcements.
- ◆ Announcements may be recorded and played remotely via the last equipped port.
- ◆ Key code protection for remote access.
- ◆ Time, day of the week and date controlled selection of announcements.
- ◆ Any announcement may be assigned to any port.
- ◆ Emergency mode override announcement with remote activation and recording.
- ◆ Any port can be enabled, disabled or forced to drop the call in progress.
- ◆ Ports can be assigned to groups of lines.
- ◆ Connection of external tape recorder or CD player for audio input and output (-10dBm peak maximum input).

Any other usage will invalidate the approval of the apparatus if as a result it ceases to comply with the standards against which approval was granted.

Installation

These installation instructions apply to Multi-Announcer Model 311 only. Model 310 must be installed by engineers authorised by Multimessage Systems Ltd. If you are installing a Model 311 Multi-Announcer please make sure you follow the instructions carefully and in the order given.

Choosing a suitable site

The unit should be installed on a level, solid surface, where:

- ◆ the mains lead will reach a 240 V AC switched mains socket, preferably with a guard fitted so that it cannot be accidentally switched off.
 - ◆ the telephone line cords will reach your telephone line sockets.
 - ◆ there is a minimum of background noise, so that you can record your announcements satisfactorily.
 - ◆ you can easily see the display (preferably at head height).
 - ◆ the unit is away from direct sunlight or heating appliances
 - ◆ air can circulate around the unit (allow at least 10 mm clearance all round)
 - ◆ the temperature is maintained between -10°C and 40°C.
 - ◆ the unit is away from water or corrosive chemicals, particularly salt spray.
-

Unpacking the System

When you unpack the system from its box, you will find:

- ◆ the Model 311/310 Multi-Announcer.
 - ◆ a mains lead with fitted plug (if you need to change the plug, refer to the 'Safety Information' page).
 - ◆ the battery fuse.
 - ◆ telephone line cords (the quantity depends on the number of lines you purchased)/cable with krone termination strips.
 - ◆ a telephone handset.
 - ◆ this User Guide.
-

Connection and conditions for use

Multimessage Multi-Announcer Models 310 and 311 are approved for:

connection to two or more direct exchange lines from the public switched telephone network; two or more extension lines on an approved call routing apparatus (PBX or key system).

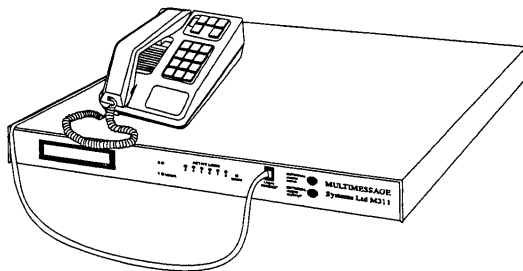
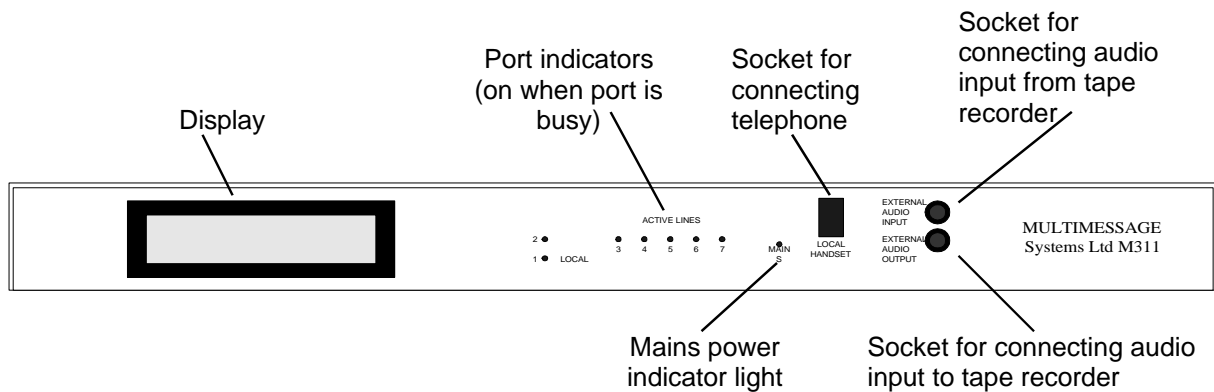
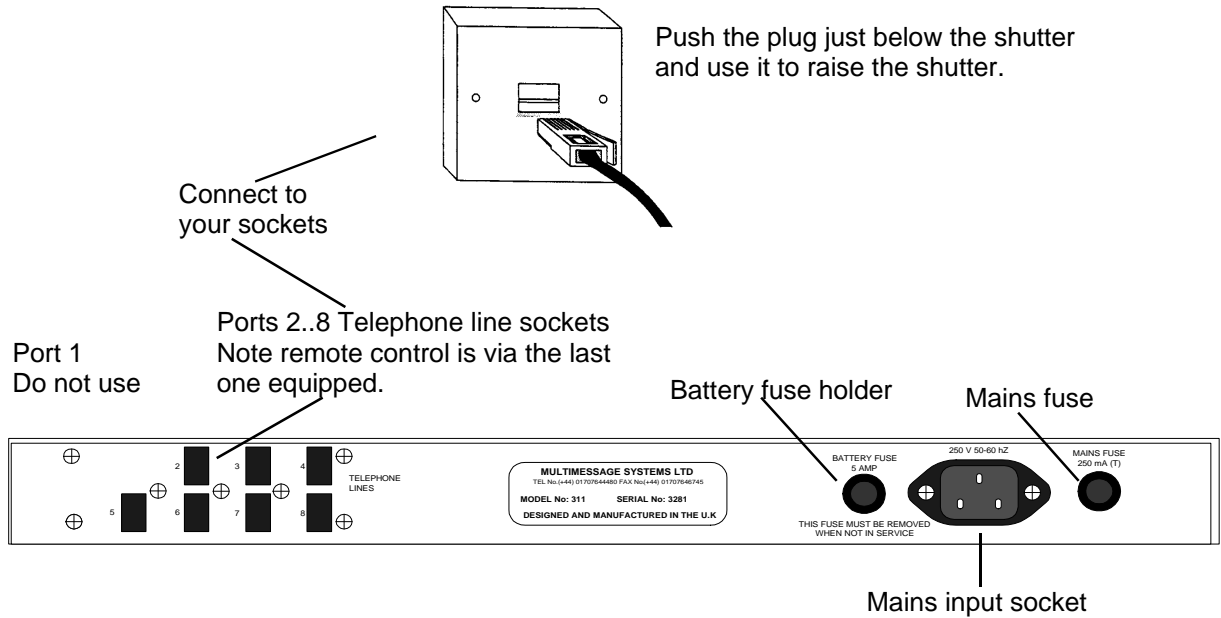
These lines may use either DTMF4 (tone) or loop-disconnect (pulse) signalling.

The apparatus is not suitable for connection as an extension to a payphone, neither to a shared-service (party) line or a 1+1 carrier system.

The Multimessage Multi-Announcer Model 311 is connected to the public network using the British Telecom modular plug and socket system. If you do not have a telephone socket, contact your local BT Telephone Sales Office (the number is in your local Phone Book) or fill in and post the Socket Request Card supplied with the unit.

The Model 310 is hard-wired, and must be installed by an authorised engineer.

Connections on front and rear panels - M311



M311 with telephone connected to local control port 1

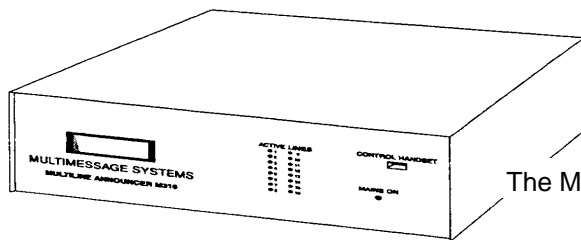
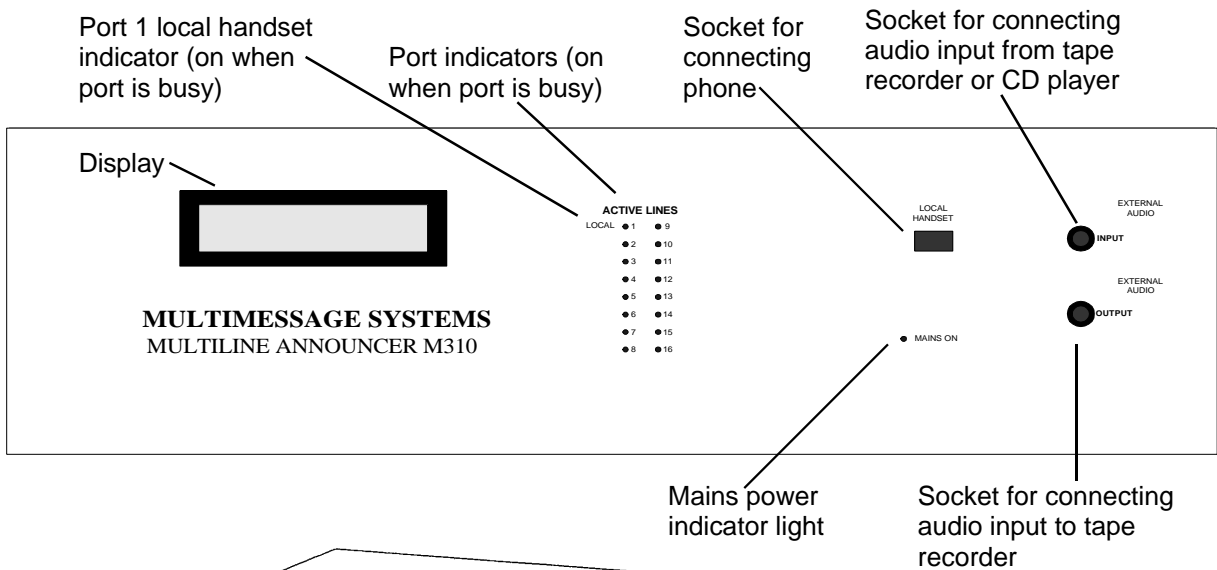
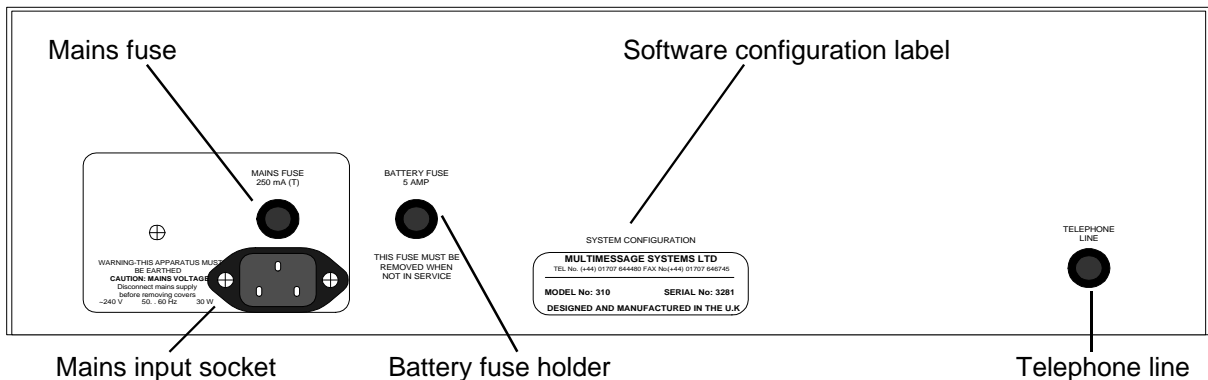
Connections on front and rear panels - M310

M310 Krone Strip Connection Details

Krone strip	1	2	3	4	5	6	7	8	9	10
Announcer line	2	3	4	5	6	7	8	9	10	11

Krone strip	1	2	3	4	5	6	7	8	9	10
Announcer line	12	13	14	15	16	NU	NU	NU	NU	NU

NU = Not Used



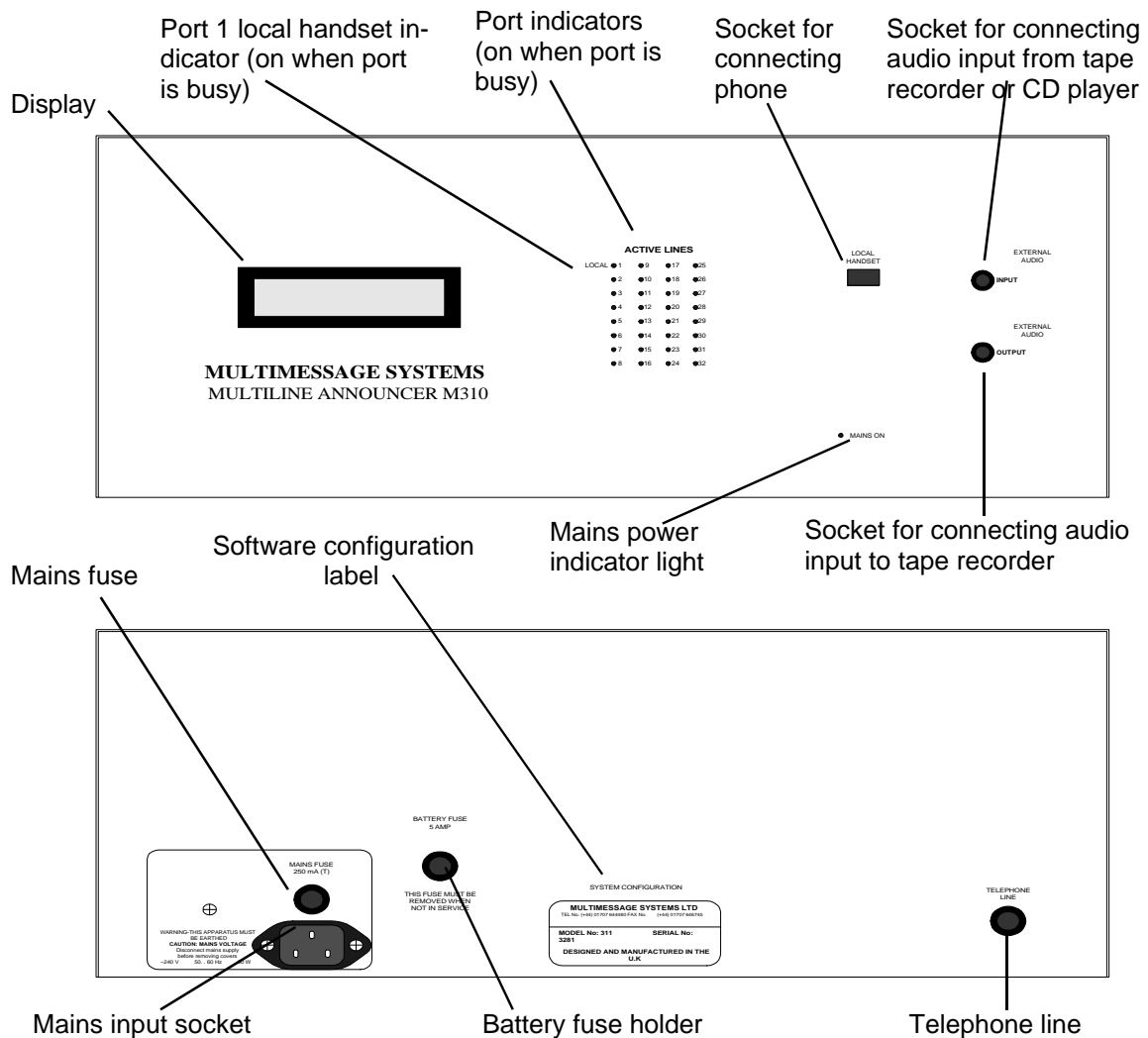
The Model 310 Multi- Announcer

Connections on front and rear panels - M310L

M310 Krone Strip Connection Details

Krone strip	1	2	3	4	5	6	7	8	9	10
Announcer line	2	3	4	5	6	7	8	9	10	11
Krone strip	1	2	3	4	5	6	7	8	9	10
Announcer line	12	13	14	15	16	17	18	19	20	21
Krone strip	1	2	3	4	5	6	7	8	9	10
Announcer line	22	23	24	25	26	27	28	29	30	31
Krone strip	1	2	3	4	5	6	7	8	9	10
Announcer line	32	NU	NU	NU	NU	NU	NU	NU	NU	NU

NU = Not Used



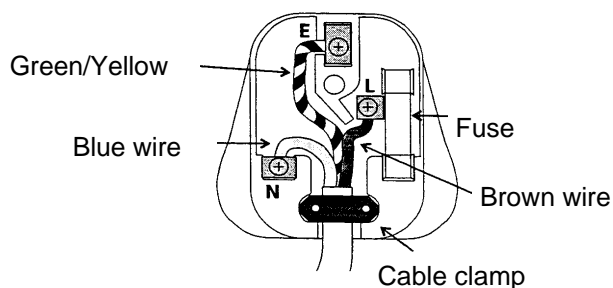
Safety information

Please be aware of this important safety information before you install or operate your Multi-Announcer. Only a simple telephone with tone dialling-such as the one supplied with the unit is to be connected to the **LOCAL HANDSET** port (see page 9). If you connect any other type of telephone, you may damage the unit and make it unsafe.

Your Multi-Announcer is supplied with a mains lead terminating in a moulded plug suitable for connection to a typical 240 V AC mains socket (standard in the UK). Normally, you should not attempt to remove this plug; however, if you need to fit a plug for operation outside the UK, please make sure you follow these instructions;

- ◆ Connect the wire which is coloured **BLUE** to the terminal marked with the letter **N** or coloured **BLACK**.
- ◆ Connect the wire which is coloured **BROWN** to the terminal marked with the letter **L** or coloured **RED**.
- ◆ Connect the wire which is coloured **GREEN AND YELLOW** to the terminal marked with the letter **E** or an **EARTH SYMBOL**, or coloured **GREEN** or **GREEN AND YELLOW**.

Fitting a plug



Installation procedure

Please make sure you follow these steps in the correct order and that you have read the safety information.

- 1 Carefully remove the unit from its plastic bag.
- 2 Plug the local handset in to the front socket marked 'LOCAL HANDSET'.
- 3 Remove the battery fuse and holder from its bag. Fit it into the socket marked 'BATTERY FUSE' at the rear of the unit making sure it is **securely screwed in**.
- 4 For the M311 plug the telephone line cords into the sockets marked 'TELEPHONE LINES' on the rear of the unit starting with the socket marked '2'. The socket marked '1' cannot be used because the corresponding port is used for the local handset. Also, it cannot be used for the M310 hardwire lines onto the krone strips.
- 5 Plug the mains lead into the socket at the rear of the unit.
- 6 With the switch on the mains socket set to **Off**, plug the mains lead into the socket. Switch on at the socket.
- 7 Watch the display and check that it shows the correct information as follows:

When the Multi-Announcer is first switched on this is the information that appears on the screen. The display shows the date of issue and the software variant.



1 December 97
AAS Version 2.19

This display indicates that the memory check is in progress, this should take approximately 30 seconds (large memory may take longer).



Memory Check
Please Wait...

The unit checks the size of installed memory and displays the memory size.



Memory top 81FF
Size 0200

The number displayed shows the amount of memory on your system.

The default display shows the current time/date and also shows the total number of calls answered by the system.



16:15 Wed 15 Mar 95
0 calls

Playing the current announcement for port 1 when the handset is lifted.



16:15 Wed 15 Mar 95
Ann 1

You are now ready to set the system up to answer your callers. Go to **Read This First**.

Read this first

When you are setting up the system, there are a few basic principles to be aware of.

When the unit is initially turned on, there are no announcements recorded. When the handset is lifted there will be a continuous bleeping noise, announcement 1 not recorded will be displayed. The bleeping noise will stop once you have recorded announcement 1.

This bleeping noise is to enable the user to gain remote access even when there are no announcements recorded (this may be due to a power failure) e.g when remote access is attempted a bleeping noise will be returned to indicate that the announcer is connected, instead of getting silence.

Menus

The system works via a series of menus-the display offers you a number of options, to be selected by pressing a key on the telephone. When you press a key, you may see another menu inviting you to choose a further option. When you first switch the system on, the display shows the size of installed memory then after a few seconds the initial menu. Thereafter, by default the display shows the time and date, and the number of calls received. If you then lift the handset and press the # key, you see the Initial Menu, which looks like this:

A 'pip pip' tone is played indicating that you are now in the initial menu

What this means is that you can press:

- ◆ 1 to record or delete an announcement
- ◆ 2 to play an announcement
- ◆ 9 to set to emergency mode, answer callers with emergency announcement 9
- ◆ 0 to stop emergency mode and return to announcements controlled by time and date
- ◆ # to see the 2nd menu
- ◆ * to return to play and display the current announcement for port 1

9-Emergency 0-Normal 1-Rec/Del 2-Play
--

Function displays

When you have pressed a key to select a function from the menu, the display may prompt you to key in some data. If you need to key in an announcement number, a port number, etc.. the display offers you a default value-usually the lowest one possible, e.g. Announcement 2. The number you can change now is blinking to indicate that you can key in a new digit. Alternatively, if you want to accept the value shown, just press the # key. If the number you enter is invalid the Multi-Announcer will offer a corrected value or ignore it and wait for you to key in a valid digit.

Setting the time and date

Lift handset press # and # again. From the 2nd menu press 5 for clock and then press 1 for time.

Enter current time in 24 hour format. Press # to complete.



Enter new time
hh mm

From the 2nd menu press 5 for clock and then press 2 for date.



Enter new date
dd mm yy

Enter current date. Press # to complete.

Reset system: Tests all ports and announcements

Tests all ports, resetting equipped ports to default type Analog+Dtone (call clearing to dial tone or disconnect clear signals). Also tests the speech memory to ensure all announcements are valid.

Lift handset press # and # again. From the 2nd menu press 7 (hidden key) then 2 for reset.

System reset, **all current calls will be cleared**. All ports will be tested and if equipped, reset to Analog+Dtone type. Announcements will be tested to ensure they are correct. If any of the announcements are faulty they will be deleted and the system will return to the power on default state.



1-Reset All
2-Port Type

To **reset system**: press 1

To **review or change port type**: press 2 or press * to quit.

Port type: reviewing or changing & resetting

Select port to review or reset and change the port type.

From the 2nd menu press 7 (hidden key) then 2 for reset then 2 again for port type.

Not used port type can not be changed (no hardware is equipped).

Enter port then press # to change type and reset it, or press * to quit.



Port 6 = Analog
2..32 #-Change *⇨

Select new port type and reset current port, or press * to quit.



1-Analog
3-Analog+Dtone *⇨

Only the port selected will have the type of connection changed. Any call in progress on this port will be cleared. Announcements will **not** be tested.

Record Announcements

Lift handset press #. From the main menu press 1 for record.

Enter announcement number or press # to accept the one offered.



Record ann 1
1. .63 #-start

Or if the announcement exists.

Enter announcement number or press # to accept the one offered.



Re-record ann 1?
*-no #-start

After the tone, speak clearly into the handset

Press # to stop or * to pause, resume again by pressing * again.



Recording 1
free 811 #-stop

Shows the free recording time available to you.



Press # or * twice to end your recording session.



End Record 1

The announcement you have just recorded is played.

The external input socket

The external input socket may be used for recording speech or music. As an option it may be used to control the system by playing tone dialling (MF) control signs in between the required announcements.

If speech with background music is required then follow the section 'Record Announcements' until it displays '# to start'. Start the CD Player (or Tape), press # key to start the recording, say your announcement, then press the # key to end the recording.

If speech from the handset is not required then follow the section 'Record Announcements' until it displays '# to start'. Press secrecy button, start the CD Player (or Tape) and when it reaches the section of music that you wish to record, press # key to start the recording, then press # key to end the recording.

To record a mixture of speech and music e.g. "You have been placed on hold, please wait ..*+*+". Follow the section 'Record Announcements' until it displays '# to start'. Press # key to start recording, once you have finished recording your speech press * to pause, press the secrecy button then start the CD Player (or Tape), press * to continue recording. Once the section of music wanted to record has finished press # key to end the recording.

The level of music should be kept low to avoid the automatic gain control circuit from compressing the music. Replaying compressed music to the callers may cause the callers to be prematurely cut off where the port has dial tone clearing enabled.

Tip: Use the week plan set-up to assign the announcement to port 1 **only**. Then repeat the recording until you have perfected it, before assigning it to other ports for your callers to hear.

Erasing Announcements

Lift handset press #. From the main menu press 1 for record.

Enter announcement number then **press *** for erase mode.



Re-record ann 1?
*-no #-start

Press # to except the announcement number offered or press * to quit.



Erase 1?
*-no #-yes

Playing Announcements

Lift handset press #. From the main menu press 2 for play.

shows duration in seconds.



Enter announcement number or press # for next or * to quit.



1 Playing Time 11
1. . 63 #-next *⇐

Daylight Saving

Lift handset press # and # again. From the 2nd menu press 5 for clock and then press 3 for Daylight saving

Press 1 to enter Start: hour; day of month; month. Press # to complete.



Daylight saving
starts 0h:00 dd/mm

Lift handset press # and # again. From the 2nd menu press 5 for clock and then press 3 for Daylight saving.

Press 2 to enter End: hour; day of month; month. Press # to complete.



Daylight saving ends
0h:00 dd/mm

Week Plan set-up/review

Lift handset press # and # again. From the 2nd menu press 4 for Breaks and then press 1 for Week Plan.

Select port, press #. Press # to edit old plan or 0 to **erase** previous plan.



Port 2-week plan
0-default #-edit

If default is selected then ports will be assigned the following announcements to play, without any time or day breaks:
Port 1 plays Ann 1; Port 2 plays Ann 2;
Port 8 plays Ann 8; Ports 8-32 play Ann 1.

To **review**: press # (edit) then repeat pressing # until you are satisfied, then press * to quit.



Port 2 Days MYWTF..
Ann 3 0900-1730hrs

To **change**: select a group of days, press #; select announcement, press #; select time break, press #; press * to save changes and quit.

Add/remove day from group. 1 corresponds with Monday and 7 with Sunday.

Port 2 Days MTWTF..
Ann 3 0900-1730hrs

You will hear the displayed announcement. if not recorded "-" will show.

Enter the time to stop playing current announcement and start playing the next.

Previous time break shown.

All changes for this port will be discarded if you press *.

You will only see this display if you made changes for this port.



Store week plan?
Port2 #-yes*- no

Date Breaks set-up/review

Lift handset press # and # again. From the 2nd menu press 4 for Breaks and then press 2 for Date.

Select port, press #.



Port 2 - date breaks
#-OK

Select port, press #. Press # to edit old date breaks or 0 to **erase** old ones.



Port 2 - date breaks
erase all 0=yes #-no

You will only see this display if Date Breaks exists for this port.

To **review**: press # (edit) then repeat pressing # until you are satisfied, then press * to quit.

To **change**: select start time and date, press # after each; Select announcement, end time and date, press # after each; You can now select the start for the next Date Break; Press * to save changes and quit.



Port 2 s17:00 250896
Ann 3 09:00 270896

Time and date at which the selected announcement is to start playing, over-riding the Week Plan.

You will be offered the previous end time and date when you enter more than one Date Break. You can change as required.

's' indicates starting break. Time hh:mm. Date ddmmyy.

Port 2 s17:00 250896
Ann 3 09:00 270896

You will hear the displayed announcement. If not recorded "-" will show.

End time and date. 'x' will indicate invalid selection.

All changes for this port will be discarded if you press *.

You will only see this display if you have made changes for this port.



Port 1 save changes?
#-yes *-no

Copy Week Plan/Date Breaks

Lift handset press # and # again. From the 2nd menu press 4 for Breaks and then press 3 for Copy.

Select **source** port, press #. Select destination range, press #. Press *, **wait** for up to 16 seconds for copying to be done. Select next **source** port or press * again if complete.



Copy port 1 breaks
to ports 1..63

Free recording time available

Lift handset press # and # again. From the 2nd menu press 2 for Free.

To return to 2nd menu, press # twice.



Free time available
829 seconds #→

Version and revision of software

Lift handset press # and # again. From the 2nd menu press 2 for **Free** then #.

To return to 2nd menu, press # .



1 December 1997
AAS version 2.19

Total count of calls received

Lift handset press # and # again. From the 2nd menu press 2 for Calls then 1 for Reset Calls.

Press 0 to zero, then #, or just # to return to 2nd menu.



Total calls 000000
0-reset to zero

Count of calls received for each port

Lift handset press # and # again. From the 2nd menu press 1 for Calls then 2 for Calls per Port.

Press 8 to select next port down or 2 to go back up. Press 0 to zero count for the selected port. Press * to return to 2nd menu.

Selected port	resettable counter	non-resettable counter
01	0000	0000
02	0000	0000

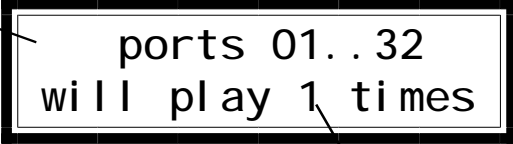
Enable number of plays for each caller

Lift handset press # and # again. From the 2nd menu press 3 for enable.

To **review**: press #, then repeat pressing # until you are satisfied, then press * to quit.

To **change**: press 0..9, press #; select start of range, press #; select end of range, press #; select plays for next range or press * to quit.

The default setting is 1.



0 stops answering
1..7 plays the number of times shown
8 repeats playing forever with the line looped
Line LED will stay on (shimmering if not seized)
9 repeats playing forever but with ringing to start

Key code for remote control

Lift handset press # and # again. From the 2nd menu press 7 (hidden key) then 3 for Key Code.

You cannot **review**.

To **change**: press 4 digits, only press # when you have memorised them, or press * to quit.



0000 code for key00
remember? *-no #-yes

Security level for remote control

The default setting is 3.

Lift handset press # and # again. From the 2nd menu press 7 (hidden key) then 4 for Security.

To **review**: press # then press * to quit.

To **change**: Select level, press #.

Sets the number of correct key code entries required after 3 false entry attempts.

03 Remember this level? *-no #-yes

Remote control of the Multi-Announcer

Call the remote control port (last port). Listen for the announcement then press #, you will now hear silence. Enter your key code, when correct you will hear 'pip pip' tone played. You can now select any of the functions from the main menu. The 2nd menu is not available via remote control:

- ◆ 1 to record or delete an announcement.
- ◆ 2 to play an announcement.
- ◆ 9 to set to emergency mode, answer callers with emergency announcement 9.
- ◆ 0 to stop emergency mode and return to announcements controlled by time and date.
- ◆ # to see the 2nd menu.
- ◆ * to return to play and display the current announcement for port 1.

Example

- ◆ Press #
- ◆ Enter your key code (The default code is 0000)
- ◆ If the key code was correct then a 'pip pip' tone is played
- ◆ Press 9 to set to the emergency mode.

If no emergency announcement is recorded this is what will happen after pressing 9:

- ◆ A single bleep tone will be played
- ◆ Record message once bleep tone has finished
- ◆ Press # to stop recording after you have finished your announcement
- ◆ The recorded message will automatically be played back

If you make a mistake, press * key to go back and correct it.

Automatic announcement selection

This feature (abbreviated for convenience to 'auto-selection') lets you set up your Multi-Announcer so that the announcement heard by a caller on a given port depends on the time of day and/or day of the week.

This overview explains the basic principles. It's a good idea to read through it before you start, making sure you understand the concept.

Recording the messages before doing the auto-announcement sets-up help, as the currently displayed message is played.

Automatic announcement selection is set-up using a week plan or date breaks or both, but you must remember that date breaks will override your week plan. A separate auto-selection program (a week plan and a set of date breaks) is provided for each port. If you require the same auto-selection program on many ports, you may copy from one port to a range of others.

The principle works like this:

- ◆ First, you select the port and then the days which you require your time breaks to apply by pressing the number corresponding to the day of the week. You will notice that the initial letter for the day changes to a dot when not selected. Once you have all the initial letters showing for the days you want the following announcements/time breaks to apply, press the # key.
- ◆ The time breaks, defining the announcements that will be played during a 24-hour period, can now be applied to the group of days which you have just selected.
- ◆ You can have up to 7 different Day Groups, and within each one you can switch announcements up to 80 times per day.
- ◆ When you have set up your Week Plan, you then define Date Breaks. Date Breaks are used to override the week plan for periods such as bank holidays. First select the port then the time and date for the start of break then select the announcement you want to be played for the period.

First you would set up the week plan for port 3 with two groups of days, one for Monday to Friday and

Example

Suppose that you want a caller on port 3 to hear:

- ◆ Announcement 10 during office hours Monday to Friday.
- ◆ Announcement 4 during the lunch hour.
- ◆ Announcement 12 during the evenings and at week-ends.
- ◆ Announcement 15 on Bank Holidays.

The recorded announcements could be:

- ◆ Announcement 10 "All our engineers are busy at the moment please hold the line and you will be connected as soon as one of them is free".
- ◆ Announcement 4 " The office is closed for lunch please call again after 14:00 hours".
- ◆ Announcement 12 "The office is closed at the moment please call again when we are open, our normal opening hours are 09:00 to 13:00 and 14:00 to 17:30 from Monday to Friday."
- ◆ Announcement 15 "The office is closed for the bank holiday please call again, we open again on Tuesday from 09:00 until 13:00 and 14:00 until 17:30."

Program

the other for Saturday and Sunday.

For the Monday to Friday group we select:

- ◆ announcement 12 to answer callers up to 09:00.
- ◆ announcement 10 up to 13:00.
- ◆ announcement 4 until 14:00.
- ◆ announcement 10 again up to 17:00.
- ◆ announcement 12 again until 24:00.

For the Saturday and Sunday group we select announcement 12.

That completes the week plan.

Bank Holidays.

Use Date breaks for the bank holidays. If the bank holiday is on a Monday, it may be appropriate for announcement 15 to start from the preceding Friday evening.

Take the example of Monday 26th August 1996:

- ◆ Select time as 17:00 and date as 230896 for the start.
- ◆ announcement 15 (bank holiday announcement).
- ◆ time as 09:00 and date as 270896 for the end of the date break.

That completes the date breaks for that bank holiday. You can use the same procedure for up to 20 date breaks.