

Multimessage Systems Limited

Dealer's stamp

Home Communications Centre User Guide

**Multimessage Systems Ltd.
Unit 1 / 2, Block 26,
Cranborne Industrial Estate,
Cranborne Road, Potters Bar, Herts.
EN6 3JH**

**Tel. 01707 644480
Fax 01707 646745
www.multimessage.co.uk**

ISSUE 1.1

Revised 06/09/05

**Model
M400/s**

GUARANTEE

Multimessage Systems Ltd. guarantees this product for one year from the date of purchase provided that:

- The product has only been used for its intended purpose, and has not been subjected to misuse, or been wilfully or accidentally damaged.
- The product has been installed according to the maker's Installation Instructions.
- The product has not been tampered with or repaired by anyone other than Multimessage Systems Ltd. or its approved agents.

If a fault occurs in this product within twelve months of purchase you should return it to where you bought it, together with the sales receipt, and it will then be replaced or repaired free of charge.

This guarantee does not affect your statutory rights and is applicable to the United Kingdom only.

TECHNICAL NOTES

1. Only Multimessage Systems modules should be connected to the chassis power supply.
2. Interconnection circuits made to any power port should be such that the equipment continues to comply with the requirements of EN60950 2.3 for SELV circuits. (The voltages in a SELV circuit shall not exceed 42.4V peak or 60V dc.) Advice should be sought from a competent engineer before such a connection is made.
2. Refer all servicing to qualified personnel or to the Multimessage Systems Customer Servicing Department at the address given on the back page of this handbook.

INTRODUCTION	4
M400 Features	4
Product Illustration	5
INSTALLATION	6
TYPICAL APPLICATION	6
System Modules	9
TECHNICAL NOTES	10

Dimensions	510 x 617 x 156 mm
Weight	13 Kg
Power Requirements	230V AC 50Hz 500mA
Temperature	0 to 40°C working
Relative Humidity	0 to 95% (non-condensing)

INTRODUCTION

The Multimessage Home Communications Centre provides the distribution of telephone, audio, computer, cable modem, ISDN, ADSL, TV, digital TV and Cable TV signals to multiple points in the home. The Home Communications Centre (HCS) gives you the ability to control and reconfigure all of the above services throughout the home. It does this by using dedicated modules for each of the services via a patch panel so the system can be configured and reconfigured to suit your changing requirements.

M400's Features

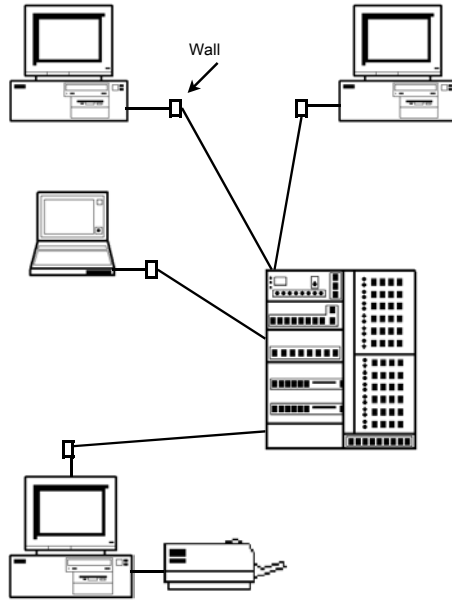
The M400 has the following features:

- Distributes a wide range of communication signals.
- Easily re-configurable.
- Modular design for easy expansion.
- Intuitive design for ease of use.

System Modules

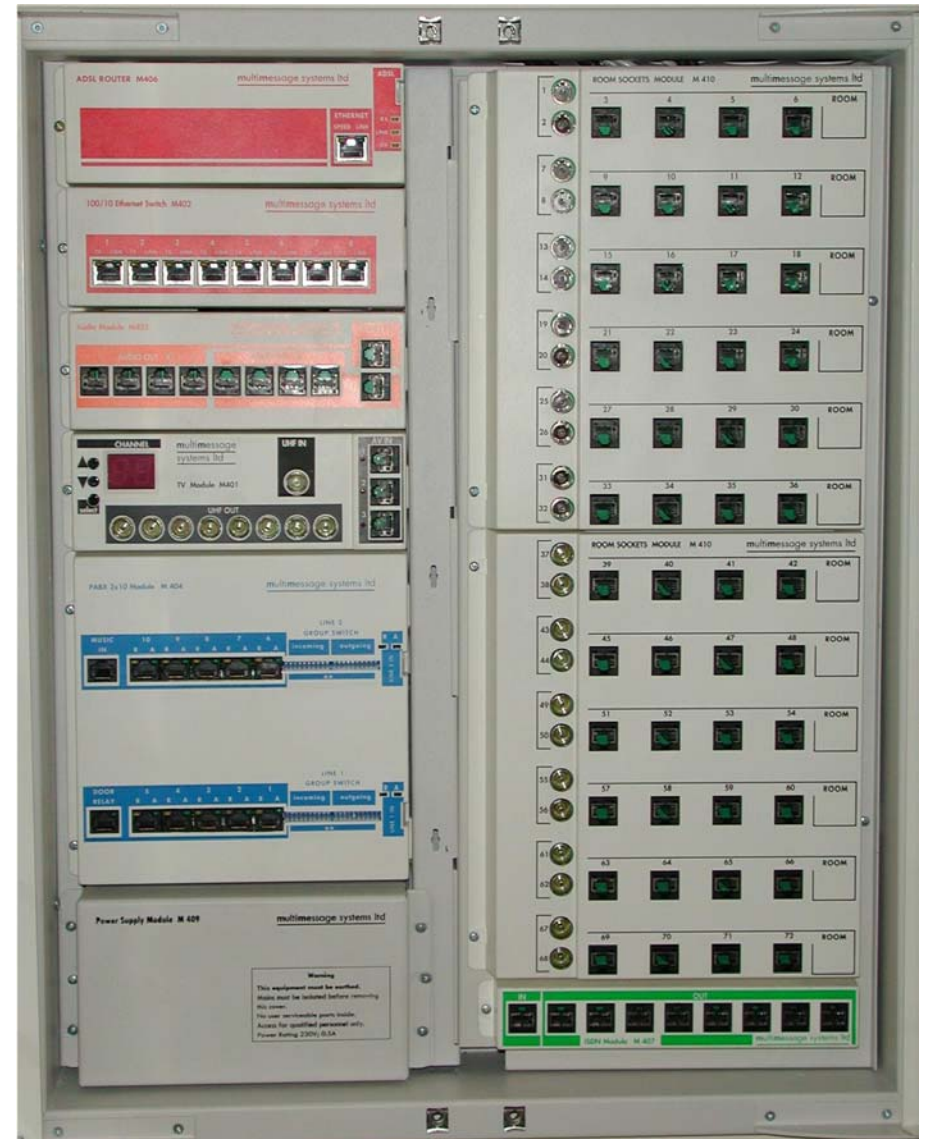
Module	Part Number
M401 TV Module	400114001
M40210/100 Ethernet Switch	400214001
M403 Audio Module	400314001
M404 PABX 2x10 Module	400414001
M405 PABX 1x5 Module	400514001
M406 ADSL Router	400614001
M407 ISDN Module	400714001

Typical Applications



The M400 enables you to connect various computers together to share files and peripheral equipment such as printers. In addition, the HCS contains an ADSL router and ISDN distribution so internet access can be shared throughout your home network.

Product Illustration

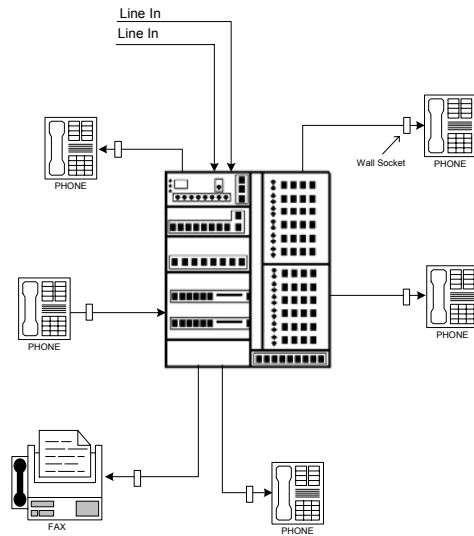


INSTALLATION

The M400 chassis should already be installed. For module installation instructions see the "installation guide" supplied on installation.

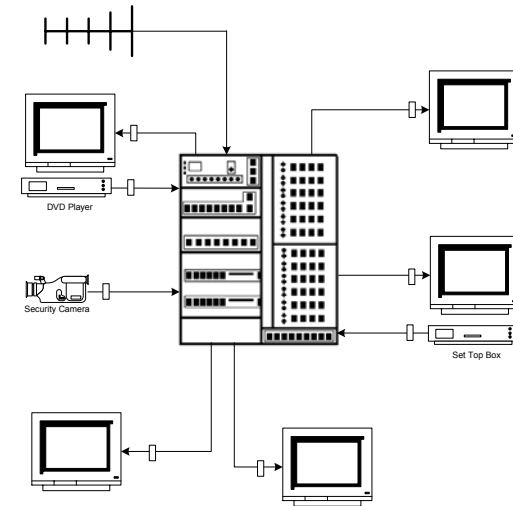
TYPICAL APPLICATIONS

Below are various applications:

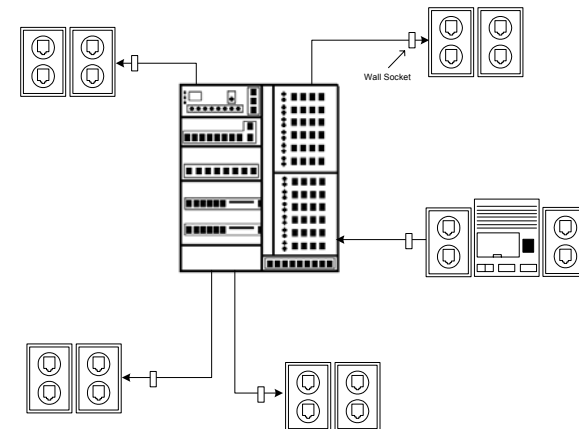


The M400 can be used to connect the telephone system to each room in your house. There are two modules which are fitted depending on which M400 system you have. The standard unit has a 10 extension module and the small unit has a 5 extension module.

Typical Applications



TV, digital TV and cable TV can all be distributed around your house. Three AV sources can also be added such as security cameras, DVD players, etc.



Audio can be piped to all rooms within your house from your standard HIFI system. It is possible to have independent volume control in each room or just use the volume control on your HIFI system.